

FLOWMETERS BY HOFFER

Perfecting Measurement™



CAT1

Conditioners-Amplifiers-Transmitters
Product Bulletin CAT1-001G

TECHNICAL DATA SHEET

OUTSTANDING FEATURES

- ◆ Loop powered 4-20mA.
- ◆ Optional flowmeter linearization.
- ◆ Factory configured when purchased with a Hoffer flowmeter.
- ◆ Several enclosure options.
- ◆ CE Compliant.
- ◆ Windows® Configuration Software.

SPECIFICATIONS

Input Signal Type:	Magnetic pickup.
Input Frequency Range:	0.2 Hz to 4 KHz.
Signal Level:	10 mV rms to 30 Vdc.
Power Supply:	Loop Power 10-30 Vdc. Reverse polarity protected.
Loop Burden Voltage:	8.5 V.
Analog Output:	4-20mA.
Analog Output Response Time:	1/8 sec. (Limited by frequency and MST settings).
Load Resistance:	Max 650 Ohms at 24 Vdc.
Accuracy:	±0.02% of full scale.
Temperature Drift:	40 ppm/deg. C.
Communications:	RS232 port for configuration and diagnostics.
Operating Temperature:	-40° to +185°F. -40° to +85°C.
Humidity:	0-90% Non-Condensing.
Enclosure:	Extruded Aluminum. DIN Rail Mount. Explosion-Proof.
Regulatory:	CE Compliant.

Up to 12 point linearization.

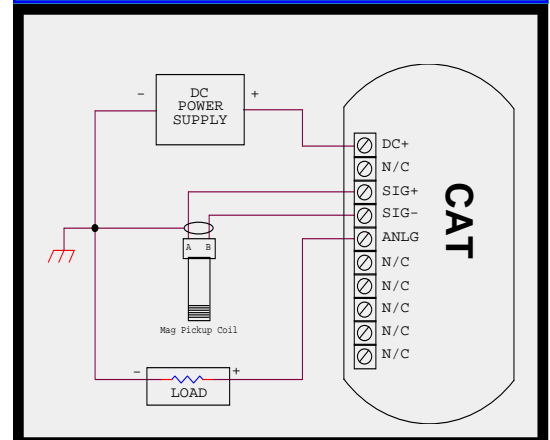
Windows® Configuration Software for Device configuration, diagnostics and monitoring.



PRODUCT DESCRIPTION

The CAT1 is a microprocessor controlled 2-wire 4-20mA transmitter. The CAT1 converts a low level, frequency signal from a flowmeter sensor into an analog 4-20mA output. The output is proportional to the flow rate.

INSTALLATION WIRING



ENCLOSURE OPTIONS

ORDERING INFORMATION

Model CAT1- () - () - () - ()

ENCLOSURE STYLE

- 1 GENERAL PURPOSE ENCLOSURE
- D 2" LONG DIN RAIL MOUNT SINGLE UNIT. UP TO 20 CAN BE MOUNTED ON A SINGLE RAIL.
- E3(*) † EXPLOSION-PROOF ENCLOSURE
- E6(*) † STAINLESS-STEEL EXPLOSION-PROOF ENCLOSURE

* INSERT "M" FOR M20 THREAD. M20 THREAD NOT AVAILABLE IN CANADA FOR STYLE E6 ENCLOSURES.
 † FOR CERTIFIED SYSTEM SPECIFY "CFX" OPTION WHEN MOUNTED ON FLOWMETER.

LINEARIZED ANALOG OUTPUT

- (7) 4 TO 20 MA UP TO 20 POINTS. ACCURACY +/- 0.02% OF FULL SCALE.

INPUT POWER

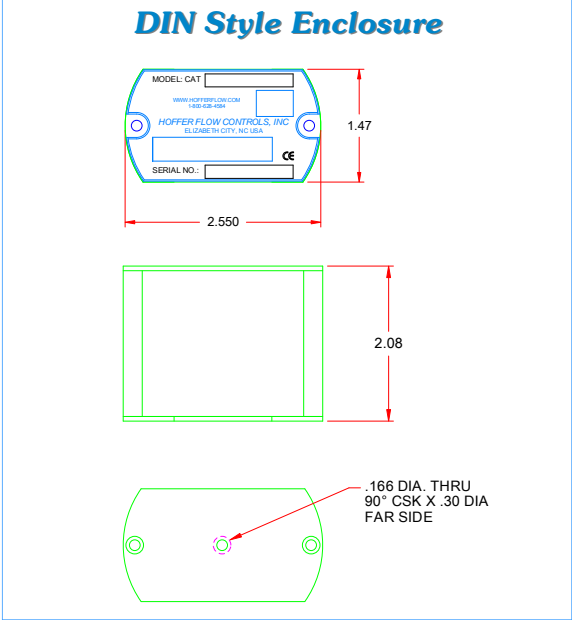
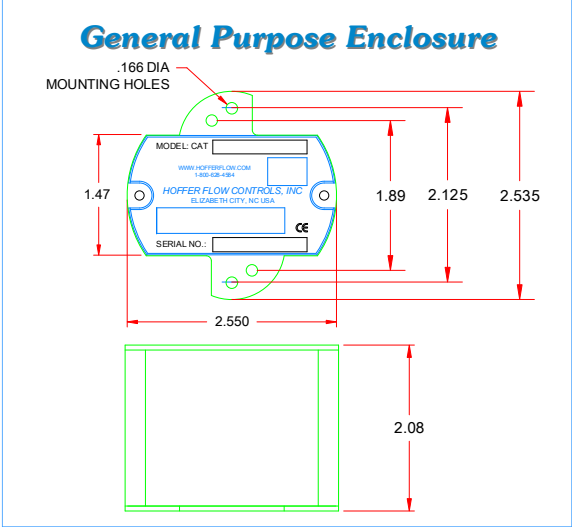
- (D) 8 TO 24 VDC LOOP POWERED

SPECIAL FEATURES

- (CE) MARK REQUIRED FOR EUROPE
- (SP) ANY SPECIAL FEATURES THAT ARE NOT COVERED IN THE MODEL NUMBER, USE A WRITTEN DESCRIPTION OF THE -SP.
- (CFX) 6.75" LONG RISER AND UNION FOR EXPLOSION-PROOF SYSTEM CERTIFIED ENCLOSURES MOUNTED ON TURBINE. USED WITH "X" RISER TURBINE OPTION. NOTE: IF PROCESS TEMP IS < -40°C OR > 85°C, EX-PROOF ENCLOSURE MUST BE MOUNTED REMOTELY.

NOTES:

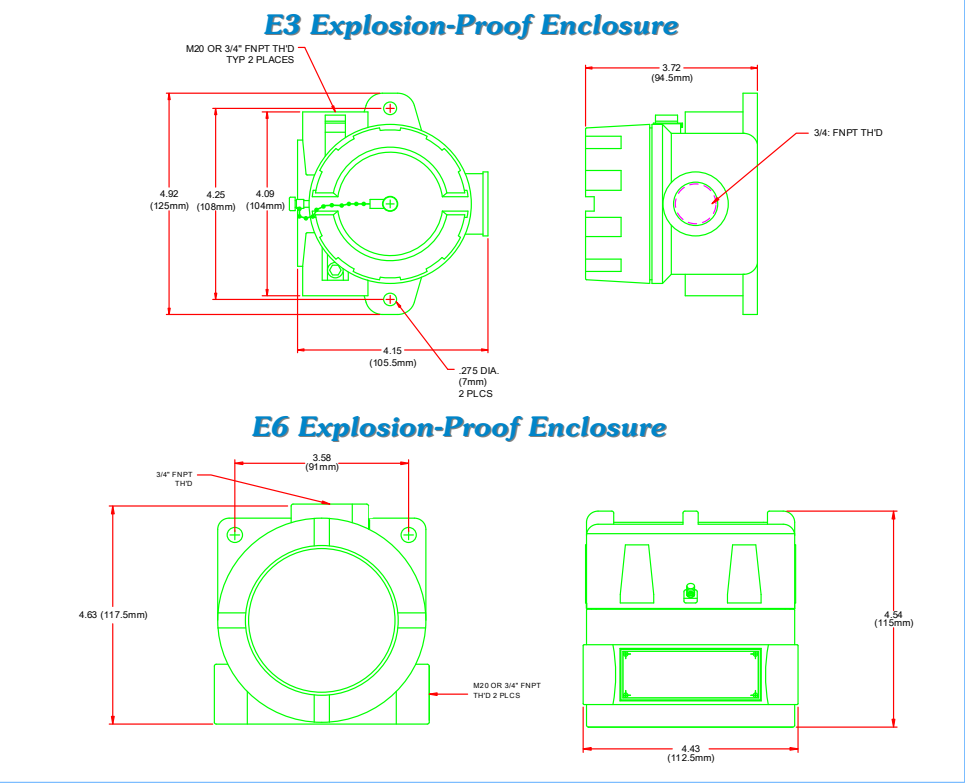
1. IF ENCLOSURE IS MOUNTED ON TURBINE FLOWMETER, RISER MUST BE SPECIFIED ON METER.
2. INPUTS: ACCEPTS MAGNETIC COIL ONLY.
3. IF THE CAT IS SHIPPED UNCALIBRATED OR IS RECALIBRATED IN THE FIELD, THE WINDOWS BASED SETUP KIT MUST BE PURCHASED. CONTACT FACTORY.



Exd System Ratings for E3 and E6 Enclosures: (Pending)

CSA/FM:
 CLASS I, DIV.1, GR.BCD, CLASS II, DIV.1, GR. EFG, CLASS III, TYPE 4X, IP66
 CLASS I ZONE 1 AEx d IIB+H2, IP66

ATEX/IECEx:
 II 2 G Ex d IIB+H2, T1-T6 Gb; IP66
 T1-T5: -40°C ≤ Ta ≤ 85°C; T6: -40°C ≤ Ta ≤ 80°C



HOFFER FLOW CONTROLS, INC.
 107 Kitty Hawk Lane, P. O. Box 2145 Elizabeth City, NC 27906-2145
 800-628-4584 252-331-1997 FAX 252-331-2886
 www.hofferflow.com email: Info@hofferflow.com

The specifications contained herein are subject to change without notice and any user of said specifications should verify from the manufacturer that the specifications are currently in effect. Otherwise, the manufacturer assumes no responsibility for the use of specifications which may have been changed and are no longer in effect.

The quality system covering the design, manufacture and testing of our products is certified to International Standard ISO 9001.

