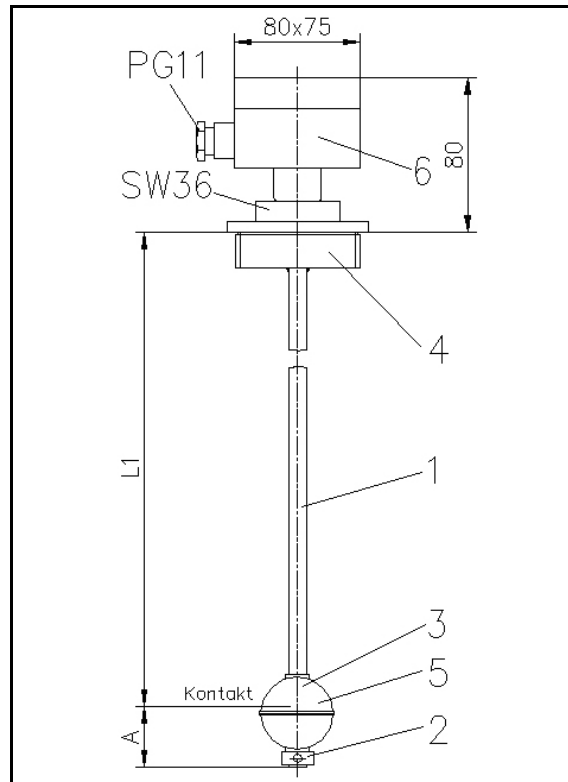


Magnetic Multi-Float-Switch

Type: ITA-T1R



Technical Information

01/2011



LEVEL

Intra-Automation
Technical Information
10/2010

Technical details subject to be changed without notice.

For comments regarding this brochure, please contact:
info@intra-automation.de

Type: ITA-T1R

Magnetic Multi-Float-Switch

List of Contents:

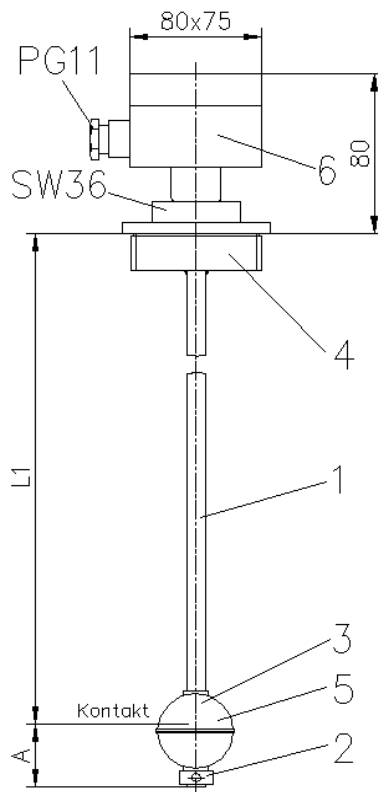
Chapt.	Description	Page
1	Technical data	
2	Dimensions	
3	Order code	

1. Technical Data

Op. pressure (max)	:	40 bar, depending on mounting type and selected float
Op. temperature (max)	:	+70 °C (158°F) (EEx d); +100 °C (213°F) (Standard)
Ambient temperature	:	-20 (-4°F)...+70 °C (158°F)
Density (min)	:	Depending on the selected float
Installation	:	vertical, $\pm 30^\circ$
Protection class	:	IP65
Weight	:	Depending on the application
Switch distance (min)	:	Float diameter + 30 mm
Reed switch	:	Type: KSK-IE25-BV432 ($U_{\max} = 230 \text{ V AC/DC}$; $I_{\max} = 2 \text{ A}$) (Ex-Version: $U_{\max} = 30 \text{ V DC}$; $I_{\max} = 100 \text{ A}$; $L_{\max} = 0 \text{ }\mu\text{H}$; $C_{\max} = 0 \text{ nF}$)

2. Dimensions

L1	:	min. 30 mm (flanged version) min. 50 mm (screwed version)
L_{max}	:	6000 mm
A	:	min 50 mm
Pipe-Ø	:	14 mm



- | | |
|----|--------------------|
| 1: | Guide tube |
| 2: | Float stop |
| 3: | Float |
| 4: | Tank connection |
| 5: | Switch point |
| 6: | Electronic housing |

3. Order codes	
Code	Description
ITA-T1R	Magnetic Multi-Float-Switch
Material guide tube / meas. length in mm	
S-L ___ mm	316Ti
T-L ___ mm	Titanium
P-L ___ mm	PP
V-L ___ mm	PVC
H-L ___ mm	Hastelloy
Material tank mounting	
S	316Ti
C	CS
T	Titanium
P	PP
V	PVC
H	316SS / Hastelloy-plated
Tank mounting	
R12	R ½"
N12	½" NPT-M
F11	Blind flange DN50 PN16
F12	Blind flange DN100 PN16
F21	Blind flange 2" 150# RF
F22	Blind flange 4" 150# RF
Anzahl Schaltpunkte*	
1	1 switch point
2	2 switch points
3	3 switch points
4	4 switch points
Schwimmertyp:	
A	∅ 52 mm, min. ρ: 0,7 kg/dm ³ , max. p: 40 bar, material: 316Ti
B	∅ 80 mm, min. ρ: 0,6 kg/dm ³ , max. p: 17 bar, material: Titanium
C	∅ 80x35 mm, min. ρ: 0,5 kg/dm ³ , max. p: 13 bar, material: 316Ti
D	∅ 44x52 mm, min. ρ: 0,8 kg/dm ³ , max. p: 25 bar, material: 316Ti
E	∅ 50x120 mm, min. ρ: 0,55 kg/dm ³ , max. p: 10 bar, material: PVC
F	∅ 50x120 mm, min. ρ: 0,5 kg/dm ³ , max. p: 10 bar, material: PP
G	∅ 65 mm, min. ρ: 0,7 kg/dm ³ , max. p: 6 bar, material: Hastelloy
Connection head	
A	Aluminium, IP65, max. 2 switches
S	316Ti, IP65, max. 2 switches
E	Aluminium, epoxy-coated, EExd, IP66, max. 2 switches
9	others (on request)
Contacts	
S	Normally open (NO)
C	Normally closed (NC)
Certificate	
00	without
Ex	Ex II 1/2G EEx d T4...T6, EEx ia T4...T6 (only connection head „E“)

ITA-T1R-□-___mm-□-□□□-□-□-□-□-□□

*requested switch points:

Switch point 1	:	mm
Switch point 2	:	mm
Switch point 3	:	mm
Switch point 4	:	mm

Besides the products covered by this brochure, Intra-Automation GmbH also manufactures other high-quality and high precision instruments for industrial measurement tasks. For more information, please contact us (contact details on the backside of this brochure).

Flow measurement



Itabar®-Flow Sensor



IntraSonic IS210 Ultrasonic Flow Meter

Level measurement



ITA-mag. Level Gauge



MAGLINK Level Indicator

Other Measurement Tasks:



DigiFlow Flow and Level Computers



IntraCon Digital Controllers



IntraDigit Digital Indicators / Meters



INTRA-AUTOMATION

MESS- UND REGELINSTRUMENTE / MEASUREMENT AND CONTROL



TÜVRheinland®
CERT
ISO 9001

International Headquarters:

Intra-Automation GmbH
Otto-Hahn-Str. 20
41515 Grevenbroich
GERMANY

☎ +49 – (0) 21 81 / 7 56 65-0

☎ +49 – (0) 21 81 / 6 44 92

✉ info@intra-automation.de

🌐 www.intra-automation.com

Sales Office for the BENELUX:

B.V. Intra-Automation HTP
PO Box 10
4730 AA Oudenbosch
THE NETHERLANDS

☎ +31 – (0)165 – 32 22 01

☎ +31 – (0)165 – 32 29 70

✉ info@intra-automation.nl