

Portable Non-contact thermometer

Waterproof, shock structure model

THERMO-HUNTER®

PT-5LD

0 to 500°C

PT-7LD

-30.0 to 200.0°C



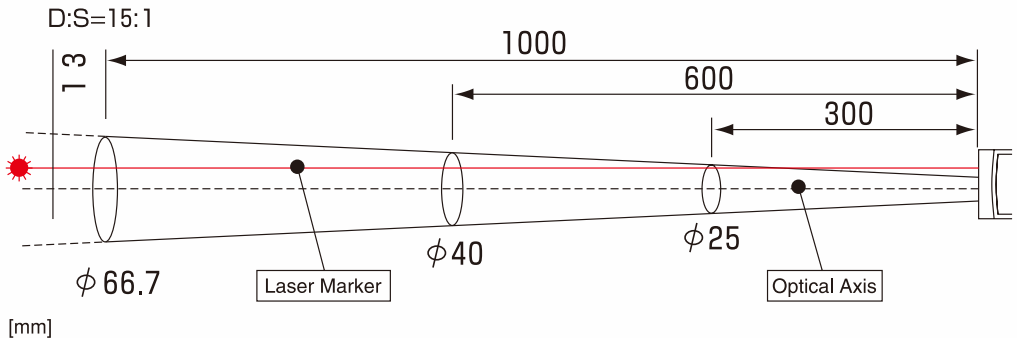
PT-5LD

PT-7LD

Features

- High accuracy of $\pm 1^{\circ}\text{C}$ at room temperature (PT-7LD)
- No damage by water wash (Water-proof and dust-proof body)
- Excellent shock resistance structure No damage from fall of 1m high
- Memory function recordable 99 points of temperature data
- Antibacterial resin body without trouble of disinfection
- Continuous measurement without pressing the button
- Silicon filter against strong radiant heat
- Upper and lower alarm function by sound and light

Optical Specifications



[mm]

- ※ The laser marker points 13mm off to the left from the optical axis.
- ※ The optical resolution value stated above are at minimum 90% energy.
- ※ The size of measuring object should be sufficiently larger than the spot size.
- ※ The temperature value displayed on LCD is the average temperature within the spot size.

Specifications

Model	PT-5LD	PT-7LD
Temperature range	0 to 500°C	-30.0 to 200.0°C
Display range	-10 to 650°C	-40 to 220.0°C
Optical resolution	φ66.7mm/1000mm	
Sensing element/ Spectral response	Thermopile/8 to 14μm	
Accuracy (ε≒0.95)	0 to 200°C:±2°C 201 to 500°C:±1%	-30.0 to 0.0°C:±3.0°C, 0.1 to 100.0°C:±1.0°C, 100.1 to 200.0°C:±2.0°C
Repeatability	±1°C of reading	±1.0°C of reading
Response time	0.7sec./90%	
Temperature resolution	1°C	0.1°C
Emissivity adjustment (ε)	DARK(0.95)/ BRIGHT(0.70) selectable	HOT(0.95)/ COLD(0.85) selectable
Continuous measuring mode	ON/OFF selectable	
Alarm functions	audible and visible High/Low alarm	
Display back-light	Available	
Data logging	99 point	
Display hold	15 seconds	
Power supply	AA (alkaline battery) x 1 pcs	
Battery life	15 hours (with alkaline battery, max load)	
Ambient temperature	0 to 50°C	
Relative humidity	35 to 85%Rh (non-condensing)	
Storage temperature	-10~60°C	
Protection class	IP67	
Sighting	Laser (Class II)	
Material	ABS (Antibacterial)	
Dimension	HxWxD=160mmx44mmx42mm	
Weight	200g (incl. Battery)	

*Specifications subject to change without notice.

Displays

PT-5LD

HI/LO Alarm

High Alarm:
LED(red)
& Buzzer(high tone)
Low Alarm:
LED(green)
& Buzzer(low tone)

LASER Indicator

HOLD
Hold the last
reading for 15sec.

THERMO-HUNTER

LASER ALARM BATT.



Battery Level Indicator

°C/°F
Selectable

99-point Data Memory
Internal memory stores
up to 99 reading

Emissivity (ε)
0.95 or 0.70
selectable

PT-7LD

HI/LO Alarm

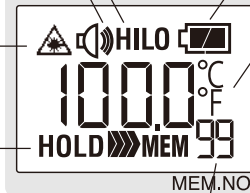
High Alarm:
LED(red)
& Buzzer(high tone)
Low Alarm:
LED(green)
& Buzzer(low tone)

LASER Indicator

HOLD
Hold the last
reading for 15sec.

THERMO-HUNTER

LASER ALARM BATT.



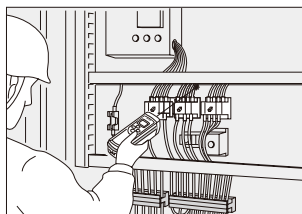
Battery Level Indicator

°C/°F
Selectable

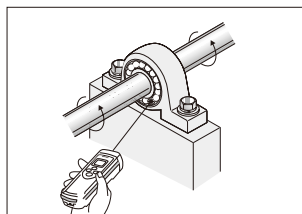
99-point Data Memory
Internal memory stores
up to 99 reading

Emissivity (ε)
0.95 or 0.85
selectable

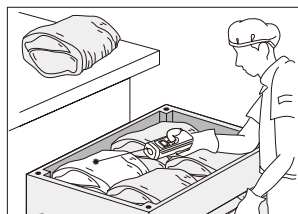
Applications



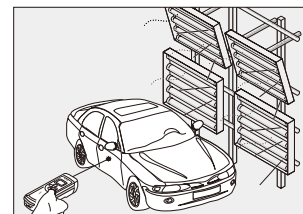
Electric Wiring/Transformer



Bearing



Freezer/Refrigerator



Motor/Machine

OPTEX CO., LTD.

5-8-12 Ogoto Otsu, Shiga, 520-0101 Japan
Tel : +81-77-579-8680 Fax : +81-77-579-8199
URL : <http://www.optex.co.jp>

74063-00-13440-1208